

PRODUCT DATA SHEET

CRANE CONTROL



DESCRIPTION

Crane control box is compact and ergonomic design and 1 Quick push button.
Depending on the single speed control system model.
Mechanical locking for security reasons.

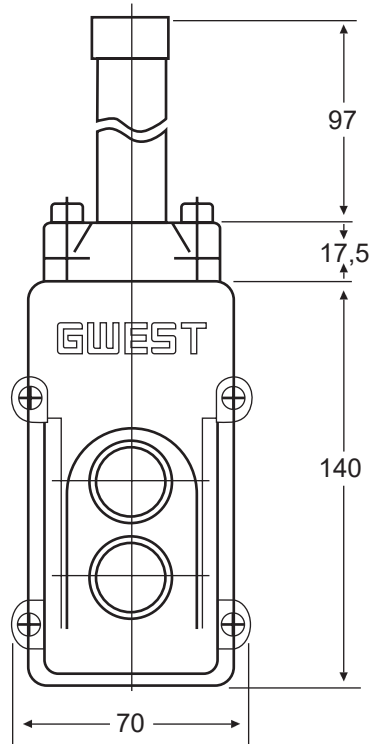
FEATURES

- Made of robust and high-impact thermoplastic.
- Ensures a long service life.
- 100g shockproof.
- Safe and reliable, comfortable to use and can be used with one hand.

PRODUCT DATA SHEET

CRANE CONTROL

SECTIONS AND DIMENSIONS



PRODUCT CODE	DESCRIPTION
VK - 2	Crane Control 2 Hole Single Speed